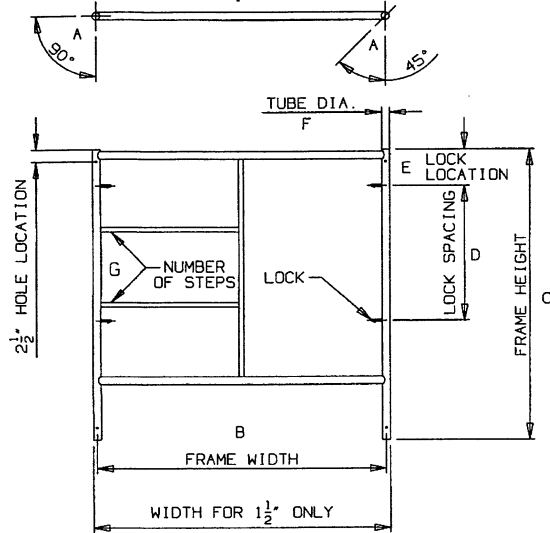


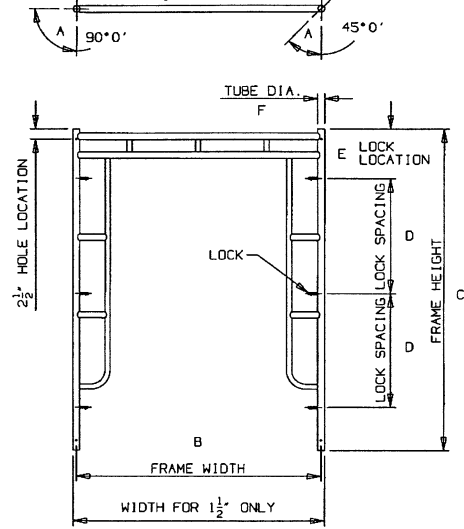
# SCAFFOLD FRAME MEASUREMENT CHARTS

These facts are needed whenever you are not sure that the frame is a BilJax brand product. If you do not have previous experience with the frame ordered, or if you do not have the item number, answer the below questions and provide them with your order.

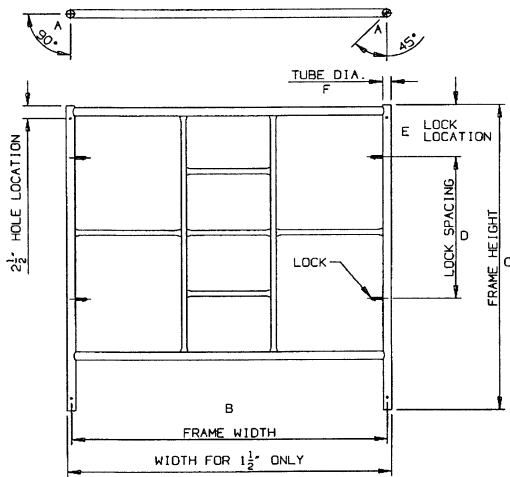
## Step frame



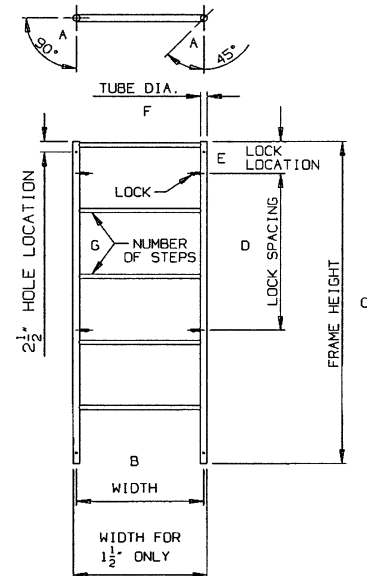
## Open frame



## Center access frame



## Ladder frame



- \_\_\_\_\_ **A. Specify Rotation of Pin Holes**
  1. 90° or 45° top & bottom
  - 90° Standard
- \_\_\_\_\_ **B. Width of Frame Center to Center**
  1. To get this measurement, place tape outside to inside of leg tube.
- \_\_\_\_\_ **C. Frame Height**
  1. Measure overall top to bottom
  2. DO NOT include insert (stacking pin) in measurement
- \_\_\_\_\_ **D. Lock Spacing**
  1. Measure distance from top of top lock pin to top of bottom lock pin
  2. When a lock had two pins, use the lower pin of both locks
- \_\_\_\_\_ **E. Lock Location**
  1. Measure between top of leg and the center of the top lock pin
  2. In case of a two pin lock, use the lower pin
- \_\_\_\_\_ **F. Tube Size of Leg (diameter)**
  1. Measure leg outside to outside
  - 1-1/2", 1-5/8", 1-11/16" standard sizes



125 Taylor Parkway | Archbold | OH | 43502 | Toll Free: 800-537-0540 | Online at: [www.biljax.com](http://www.biljax.com)