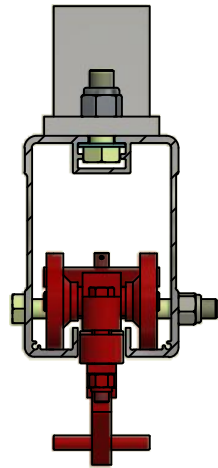
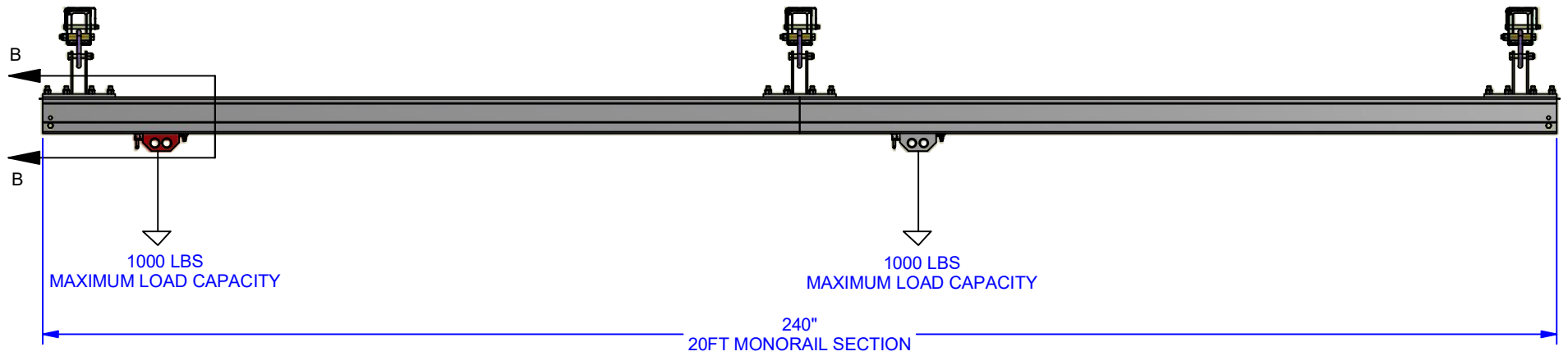


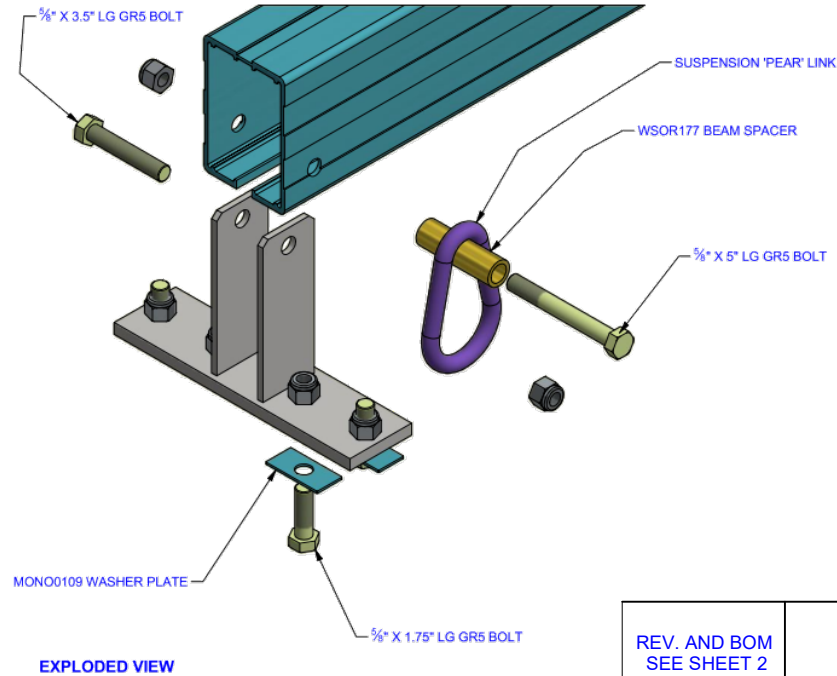
GENERAL NOTES

1. ROOF, SLAB, PARAPET OR OTHER SUPPORTING SURFACES MUST BE VERIFIED AS ADEQUATE TO SUPPORT IMPOSED LOADS
2. COMPONENTS NOT SHOWN:
IA0144 - ALIGNMENT PINS (INSERTED BETWEEN MONORAIL SECTIONS)
3. EACH OUTRIGGER BEAM REQUIRE COUNTERWEIGHT OR CLAMP TO STRUCTURE TO PROVIDE RESISTANCE TO OVERTURNING WITH A SAFETY FACTOR OF 4 TO 1
4. OUTRIGGER BEAM SYSTEM MUST BE INSTALLED IN ACCORDANCE WITH LAYOUT SHOWN ON SK012718 AND MUST HAVE THE NECESSARY AMOUNT OF COUNTERWEIGHT REQUIRED FOR THE REACH THAT THE OUTRIGGER BEAMS PROVIDE
5. TIEBACK OUTRIGGER BEAM SYSTEMS TO SAFE ANCHORAGE IN ACCORDANCE WITH APPLICABLE REGULATIONS AND SAFE WORK PRACTICES
6. MONORAIL SECTIONS MUST BE SUPPORTED EVERY 10FT WITH A MAXIMUM 2FT CANTILEVER FROM THE CENTER OF THE IA1167 MONORAIL HANGER TO THE END OF THE MONORAIL SECTION

REV. AND BOM SEE SHEET 2		WINSAFE <small>A DIVISION OF AGF ACCESS GROUP INC.</small>	
 UNLESS OTHERWISE SPECIFIED		TITLE: 20FT MONORAIL & OUTRIGGER BEAM SYSTEM	
		DO NOT SCALE	DRAWN: SZ
<small>MANUFACTURING TOLERANCES UNLESS OTHERWISE SPECIFIED</small> <small>Dimensions are in inches Tolerance for Dimensions to be ± 0.031 Angles ± 1°</small>		<small>This drawing is the property of Winsafe Corp. It is loaned with the express agreement that the drawing and the information contained therein are property of Winsafe Corp., and will not be used in whole or in part to assist in making or to furnish any information for the making of apparatus or parts thereof except upon written permission of Winsafe Corp.</small>	
		CHECK: RV	APP: ST
		DRAWING NO.: SK041219-2	
		SHEET 1 OF 2	
		Aa	



SECTION B-B



EXPLODED VIEW

REV. AND BOM SEE SHEET 2		WINSAFE <small>A DIVISION OF AGF ACCESS GROUP INC.</small>	
 UNLESS OTHERWISE SPECIFIED		TITLE: 20FT MONORAIL & OUTRIGGER BEAM SYSTEM	
		DO NOT SCALE	DRAWN: SZ
<small>MANUFACTURING TOLERANCES UNLESS OTHERWISE SPECIFIED</small> <small>Dimensions are in inches</small> <small>Tolerances for Dimensions to be ± 0.031</small> <small>Angles ± 1°</small>		<small>This drawing is the property of Winsafe Corp. It is loaned with the express agreement that the drawing and the information contained therein are property of Winsafe Corp., and will not be used in whole or in part to assist in making or to furnish any information for the making of apparatus or parts thereof except upon written permission of Winsafe Corp.</small>	
		CHECK: RV	APP: ST
		DRAWING NO.: SK041219-2	Aa
		SHEET 2 OF 2	