

COUNTERWEIGHT REQUIREMENTS


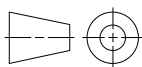
#	MAX LOAD	MAX REACH	COUNTERWEIGHT
1	1000 LBS	96 IN	1850 LBS
2	1000 LBS	84 IN	1620 LBS
3	1000 LBS	72 IN	1390 LBS
4	1000 LBS	60 IN	1155 LBS
5	1000 LBS	48 IN	925 LBS
6	1000 LBS	36 IN	695 LBS

ALWAYS SUPPORT DIRECTLY UNDER THIS FULCRUM POINT AND ENSURE THAT ROOF SLAB, PARAPET OR OTHER SUPPORTING SURFACES HAVE BEEN VERIFIED AS ADEQUATE TO SUPPORT LOADING OF OUTRIGGER BEAM SYSTEM

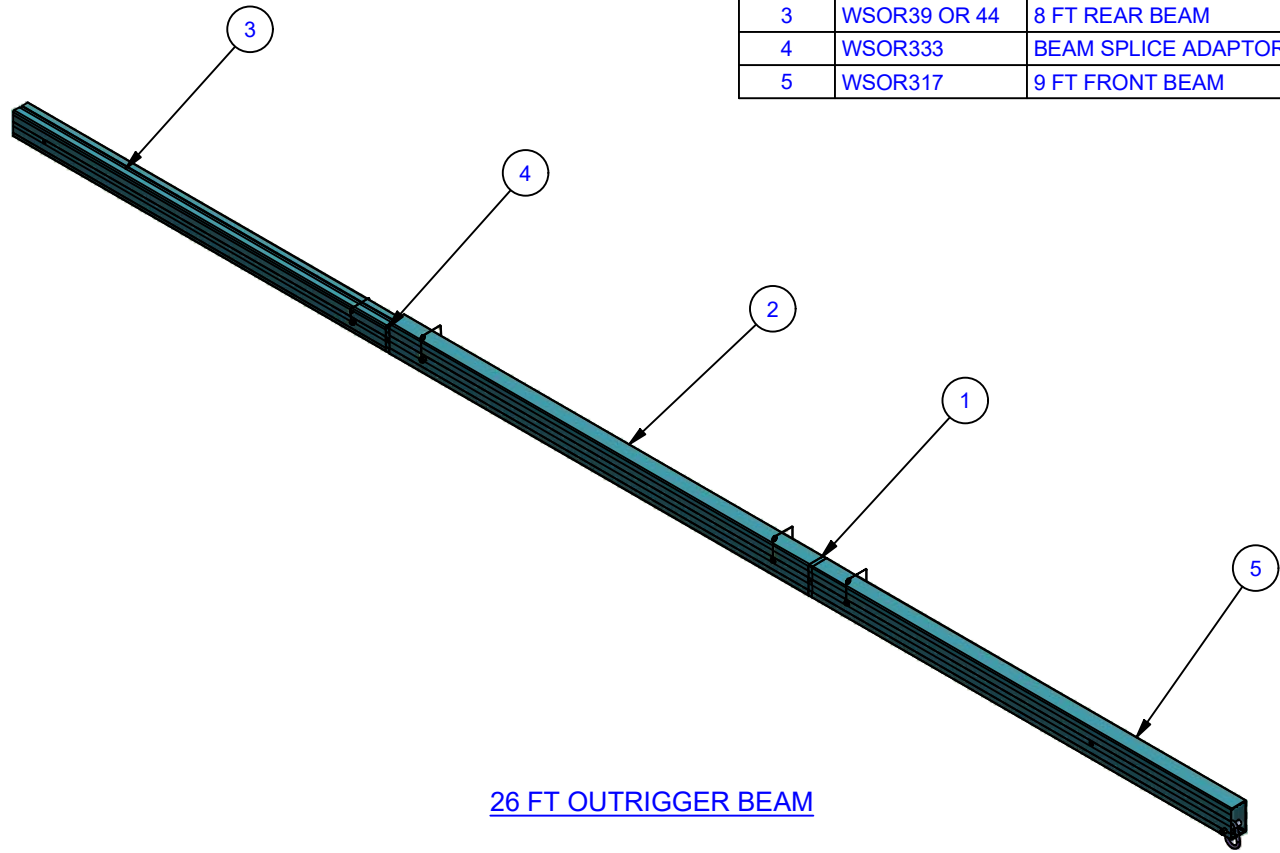
1000 LBS
MAXIMUM LOAD
CAPACITY

NOTES:

1. USE COUNTER WEIGHT SADDLE OR LONGHORN BAR TO SECURE ADDITIONAL WEIGHTS IF REQUIRED
2. TIE BACK IN ACCORDANCE WITH APPLICABLE REGULATIONS AND SAFE WORK PRACTICES.
3. THE ROOF SLAB, PARAPET (IF APPLICABLE) AND ALL AREAS OF THE SURFACE THAT IS SUPPORTING THE OUTRIGGER BEAM SYSTEM MUST BE VERIFIED AS ADEQUATE TO SUPPORT LOAD.

REV. AND BOM SEE SHEET 2	 A DIVISION OF AGF ACCESS GROUP INC.		
 UNLESS OTHERWISE SPECIFIED	TITLE: 26 FT 1500 S OUTRIGGER BEAM SYSTEM WITH 8 FT SUPERREACH		
DO NOT SCALE	DRAWN: MI	DATE: 10/06/2019	SCALE:
<small>MANUFACTURING TOLERANCES UNLESS OTHERWISE SPECIFIED</small> <small>Dimensions are in inches</small> <small>Tolerances for Dimensions to be ± 0.031</small> <small>Angles ± 1°</small>	<small>This drawing is the property of Winsafe Corp. It is loaned with the express agreement that the drawing and the information contained therein are property of Winsafe Corp., and will not be used in whole or in part to assist in making or to furnish any information for the making of apparatus or parts thereof except upon written permission of Winsafe Corp.</small>		CHECK: RV APP: DRAWING NO.: SK100319 SHEET 1 OF 2
			Aa

Parts List			
ITEM	PART NUMBER	DESCRIPTION	QTY
1	WSOR500	8.5 FT BEAM SPLICE	1
2	WSOR318	9 FT MID BEAM	1
3	WSOR39 OR 44	8 FT REAR BEAM	1
4	WSOR333	BEAM SPLICE ADAPTOR	1
5	WSOR317	9 FT FRONT BEAM	1



26 FT OUTRIGGER BEAM

REV. AND BOM SEE SHEET 2		WINSAFE <small>A DIVISION OF AGF ACCESS GROUP INC.</small>	
 UNLESS OTHERWISE SPECIFIED		TITLE: 26 FT 1500 S OUTRIGGER BEAM SYSTEM WITH 8 FT SUPERREACH	
DO NOT SCALE		DRAWN: MI	DATE: 10/06/2019
<small>Dimensions are in inches Tolerances to be ± 0.031 Angles ± 1°</small>		<small>This drawing is the property of Winsafe Corp. It is loaned with the express agreement that the drawing and the information contained therein are property of Winsafe Corp., and will not be used in whole or in part to assist in making or to furnish any information for the making of apparatus or parts thereof except upon written permission of Winsafe Corp.</small>	
		CHECK: RV APP:	DRAWING NO.: SK100319
		Aa	

REVISION HISTORY				
REV	DESCRIPTION	DATE	REVISED BY	APPROVED